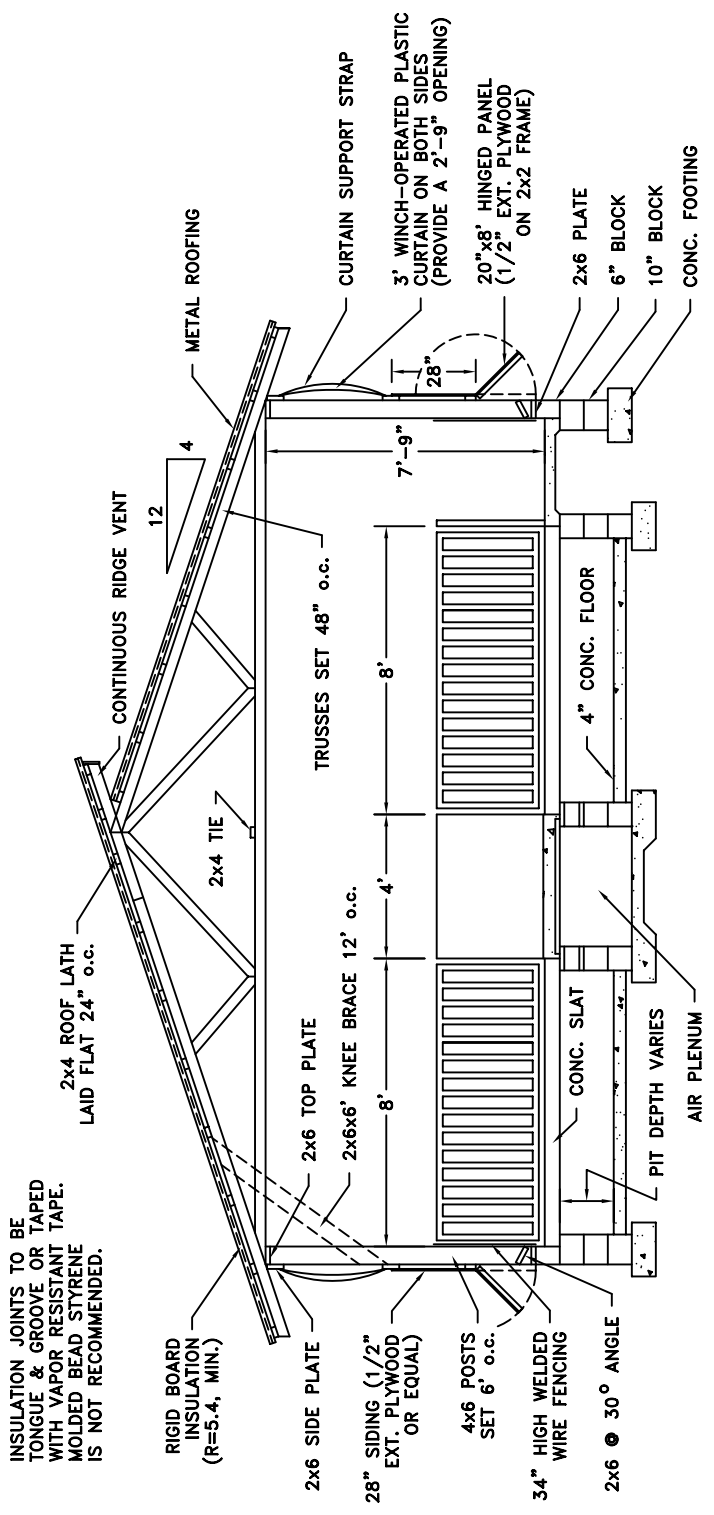
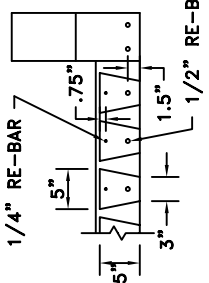


PLAN
SCALE: 3/32"=1'-0"

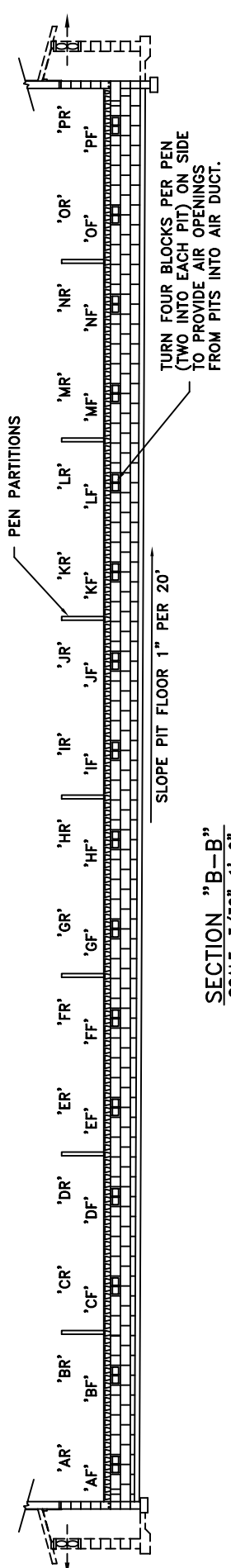
INSULATION JOINTS TO BE TONGUE & GROOVE OR TAPED WITH VAPOR RESISTANT TAPE. MOLDED BEAD STYRENE IS NOT RECOMMENDED.



SECTION "A-A"
SCALE: 3/16"=1'-0"



SLAT DETAIL
SCALE: 1/2"=1'-0"

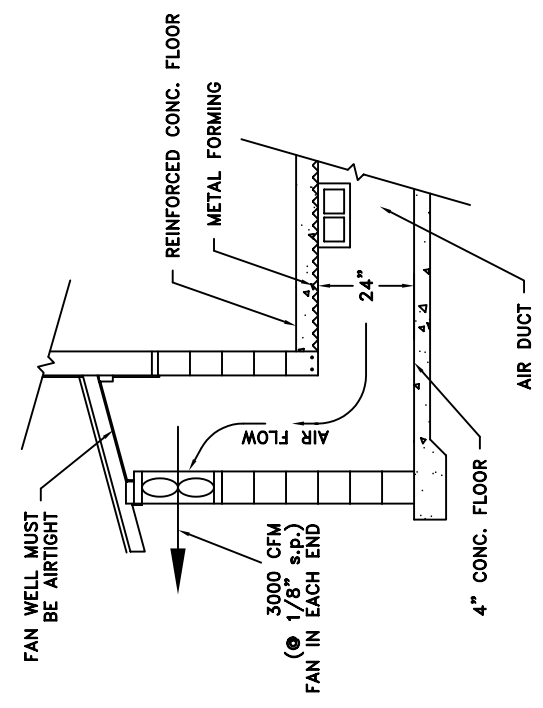


SECTION "B-B"
SCALE: 3/32"=1'-0"

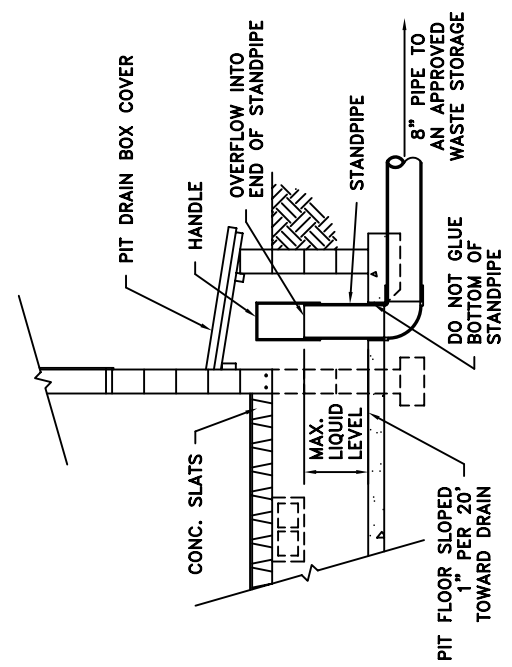
NOTE:
BLOCK OPENINGS MUST BE SIZED APPROXIMATELY AS SHOWN IN THE TABLE FOR PROPER AIR FLOW. OPERATE PIT FANS CONTINUOUSLY.

REAR PIT																
BLOCK NO.	'AR'	'BR'	'CR'	'DR'	'ER'	'FR'	'GR'	'HR'	'IR'	'JR'	'KR'	'LR'	'MR'	'NR'	'OR'	'PR'
OPENING	1	1 1/2"	2	2 1/2"	3 1/2"	ONE	3	BOTH	3	3	ONE	3 1/2"	2 1/2"	2	1 1/2"	1
	IN ONE	IN ONE	IN ONE	IN ONE	IN ONE	IN ONE	IN ONE	BOTH	BOTH	BOTH	IN ONE	IN ONE	IN ONE	IN ONE	IN ONE	IN ONE
	CORE	CORE	CORE	CORE	CORE	CORE	CORES	CORES	CORES	CORES	CORE	CORE	CORE	CORE	CORE	CORE

FRONT PIT																
BLOCK NO.	'AF'	'BF'	'CF'	'DF'	'EF'	'FF'	'GF'	'HF'	'IF'	'JF'	'KF'	'LF'	'MF'	'NF'	'OF'	'PF'
OPENING	1	1 1/2"	2	2 1/2"	3 1/2"	ONE	3	BOTH	3	3	ONE	3 1/2"	2 1/2"	2	1 1/2"	1
	IN ONE	IN ONE	IN ONE	IN ONE	IN ONE	IN ONE	IN ONE	BOTH	BOTH	BOTH	IN ONE	IN ONE	IN ONE	IN ONE	IN ONE	IN ONE
	CORE	CORE	CORE	CORE	CORE	CORE	CORES	CORES	CORES	CORES	CORE	CORE	CORE	CORE	CORE	CORE



SECTION "C-C"
SCALE: 1/4"=1'-0"



SECTION "D-D"
SCALE: 1/4"=1'-0"