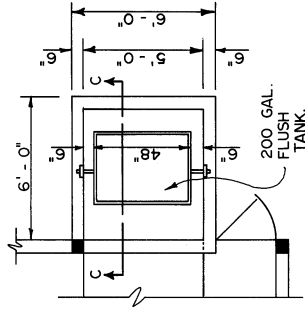


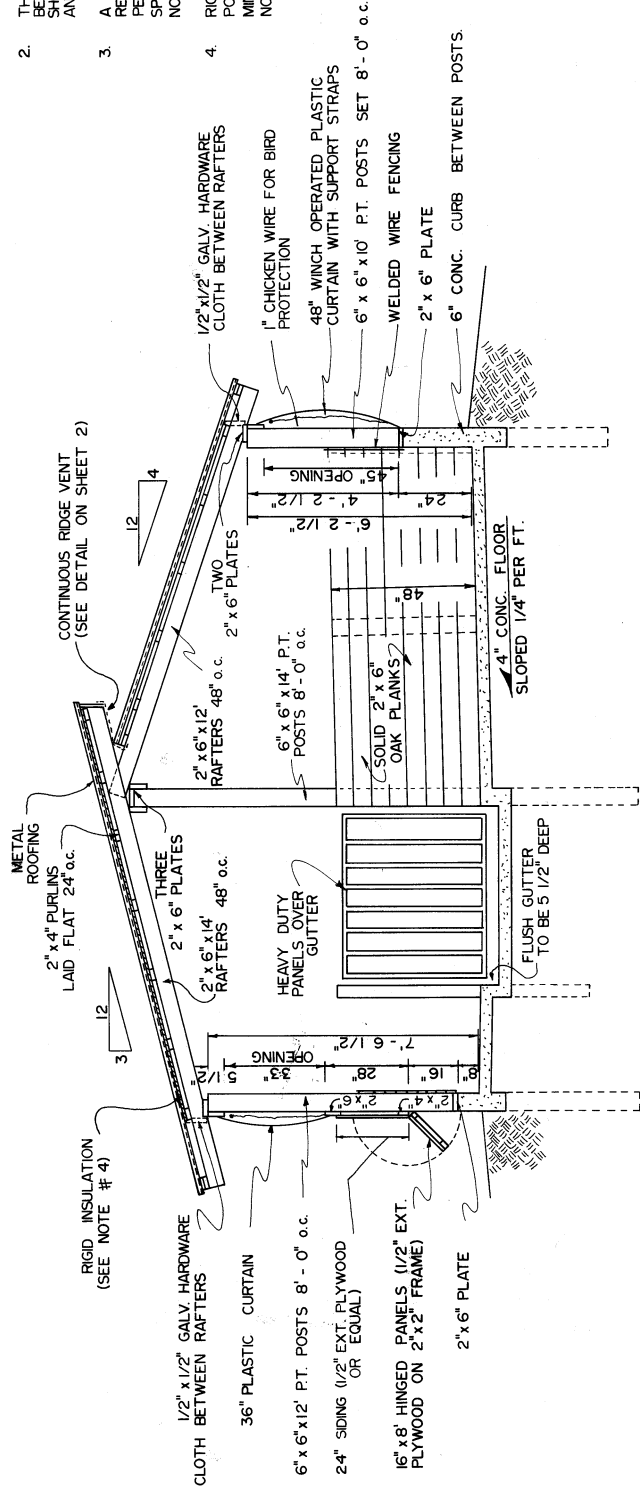
FLOOR PLAN



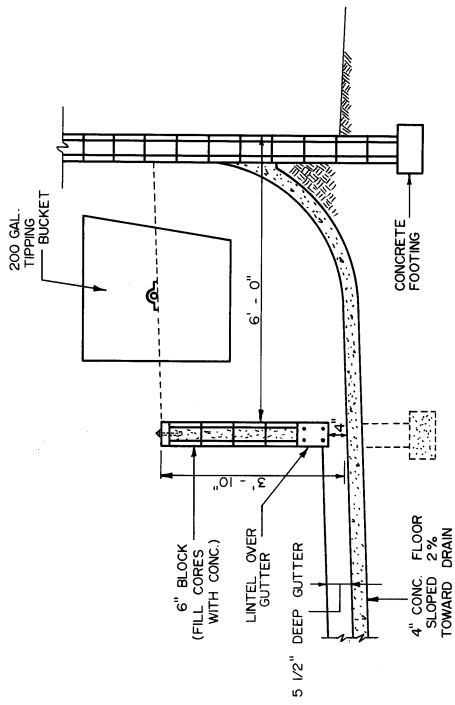
DUMP WELL DETAIL

NOTES:

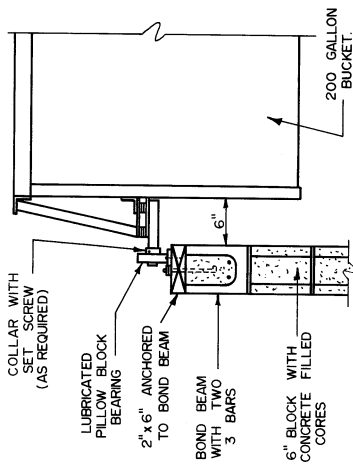
1. CONCRETE FLOORS SHOULD NOT BE OVER-FINISHED A SOFT HAIR BRUSH WILL USUALLY PRODUCE A DESIRABLE SKID RESISTANT FINISH. A SLIGHTLY SMOOTHER "SAND" FINISH CAN BE PRODUCED WITH A WOOD OR ALUMINUM-MAGNESIUM FLOAT. DO NOT FINISH WITH A STEEL TROWEL.
2. THE LAST 18" OF PEN SLOPE - JUST BEFORE STEPPING INTO THE GUTTER - SHOULD HAVE A BROOM FINISH TO IMPROVE ANIMAL FOOTING.
3. A SPRINKLER COOLING SYSTEM IS RECOMMENDED FOR IMPROVING HOT WEATHER PERFORMANCE IN THIS FACILITY. INSTALL SPRINKLER COOLING ACCORDING TO TN PLAN NO. T4065 OR A SIMILAR PLAN.
4. RIGID INSULATION (R = 54) TO BE 1" EXTRUDED POLYSTYRENE WITH 1.7 LBS. PER CU. FT. MIN. DENSITY. MOLDED BEAD STYRENE IS NOT RECOMMENDED.



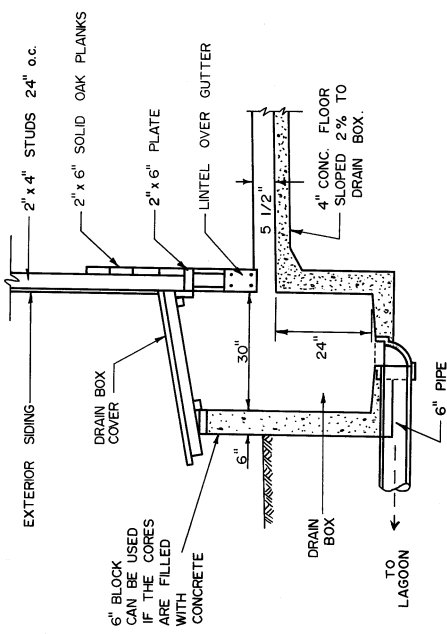
SECTION A-A



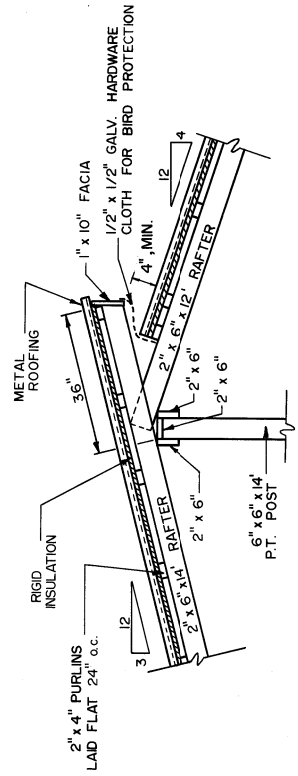
SECTION C-C



BUCKET MOUNTING DETAIL



SECTION B-B



RIDGE VENT DETAIL