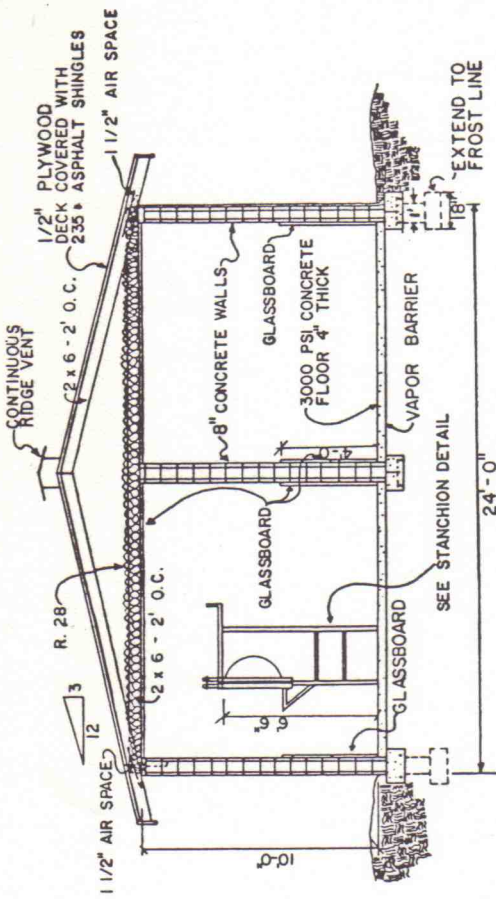
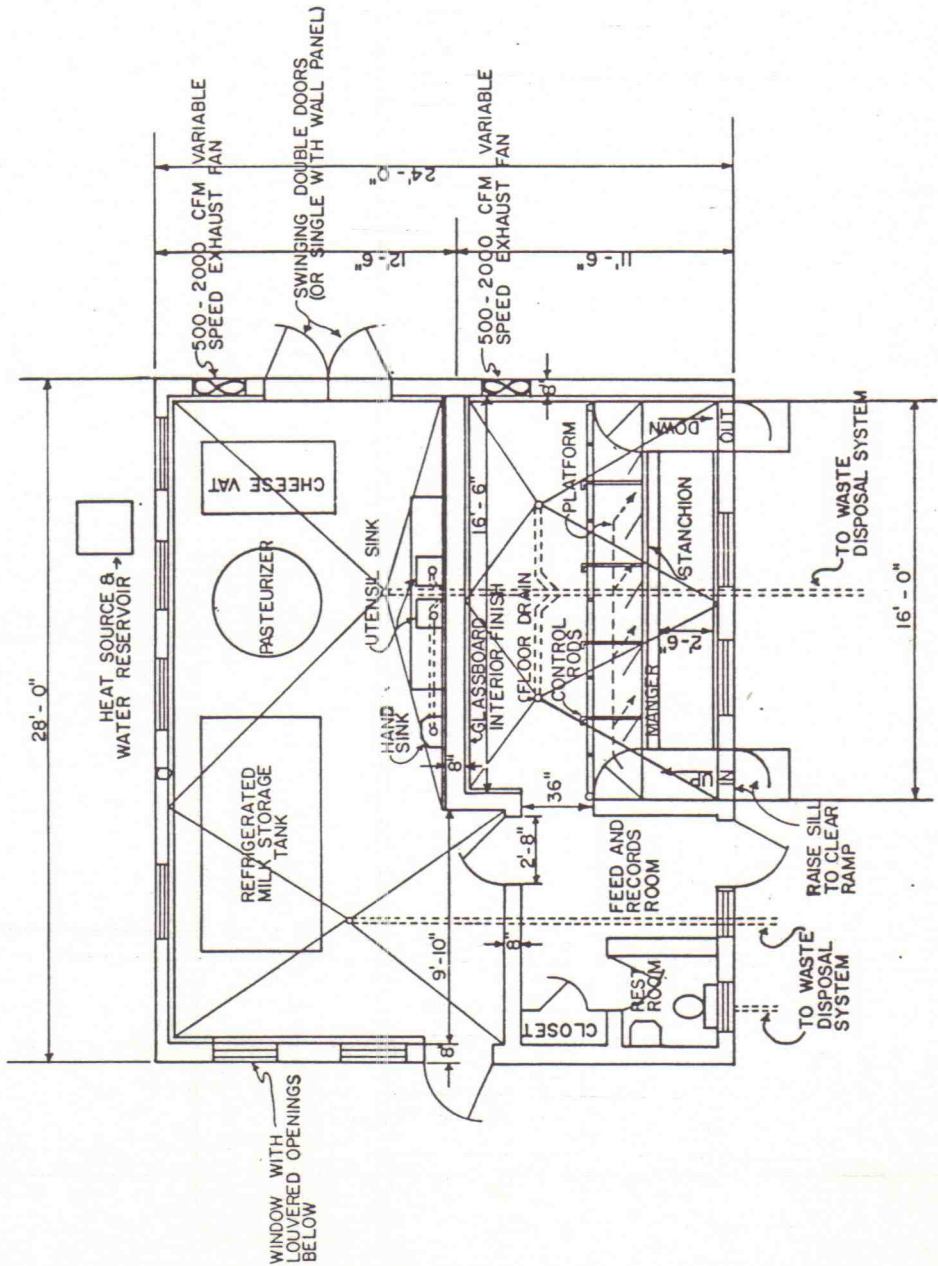


NOTES:

1. CAUTION: CHECK WITH HEALTH AND MARKETING OFFICIALS FOR COMPLIANCE WITH MILKING PARLOR, AND MILK-ROOM/CHEESE PROCESSING PLANT RULES. REQUIREMENTS VARY FROM STATE TO STATE WITH REGARD TO SEPARATION OF ROOMS, VENTILATION, WINDOW AREA, AND INTERIOR FINISH
2. CHECK WITH ENVIRONMENTAL AUTHORITIES REGARDING WASTE HANDLING
3. COLD CLIMATES WILL REQUIRE INSULATED EXTERIOR WALLS
4. HEATING AND OTHER MECHANICAL EQUIPMENT TO BE LOCATED IN EQUIPMENT ROOM OR IN AN ADD-ON SHELTER OUTSIDE
5. AWNING WINDOWS RECOMMENDED TO AID IN SUMMER VENTILATION. ALL OPENINGS TO BE SCREENED.
6. IF PLATFORM IS FABRICATED OUTSIDE OF ROOM, CHECK DOOR CLEARANCE. ANCHOR PLATFORM TO WALLS AT EACH END.



CROSS SECTION

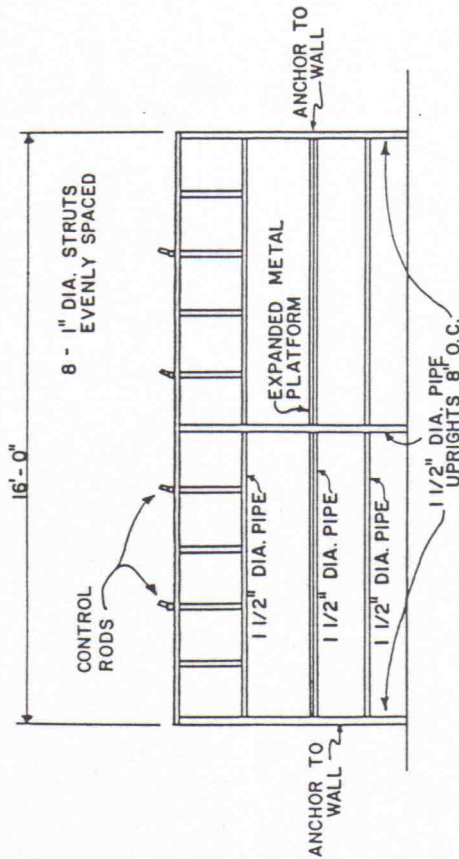


FLOOR PLAN

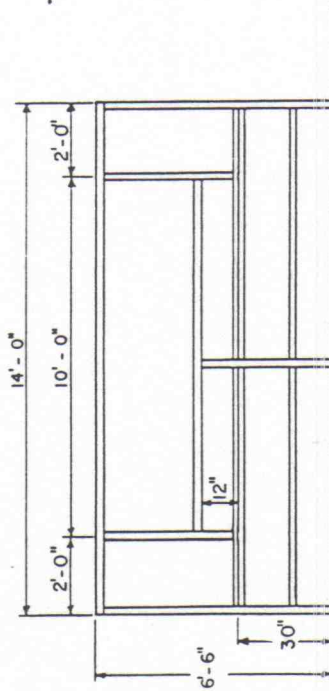
COOPERATIVE EXTENSION WORK IN
 AGRICULTURE AND HOME ECONOMICS
 STATE OF TENNESSEE
 UNIVERSITY OF TENNESSEE
 AGRICULTURAL ENGINEERING DEPARTMENT
 AND
 UNITED STATES DEPARTMENT OF AGRICULTURE COOPERATING

4 GOAT HERRINGBONE DAIRY PARLOR
 AND CHEESE PLANT

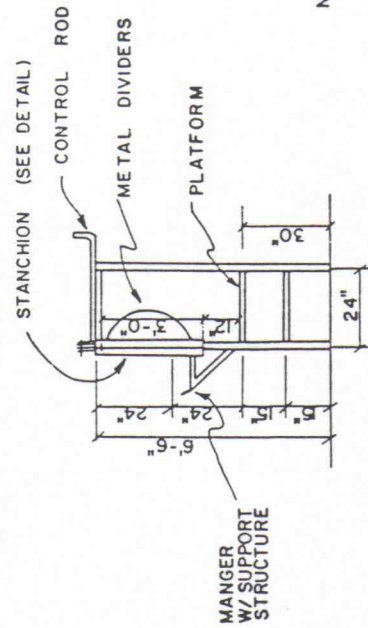
GA '88 6405 SHEET 1 OF 2



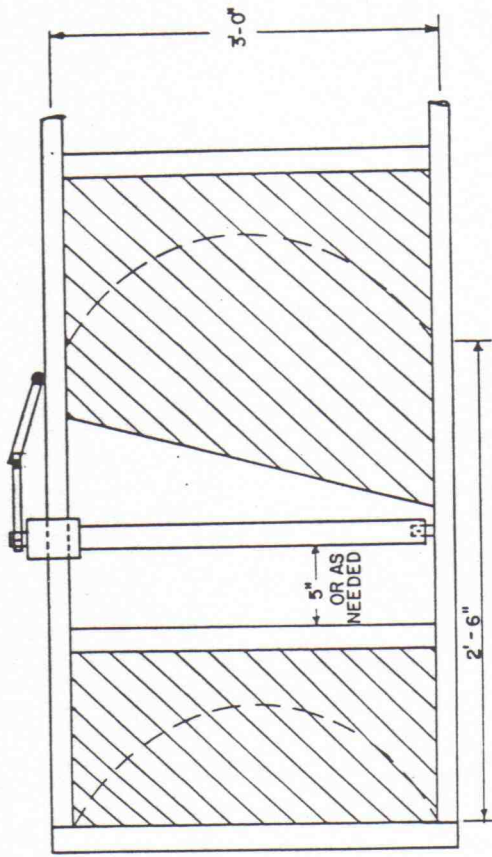
**SUPPORT STRUCTURE (MILKING SIDE)
AS VIEWED FROM MILKING SIDE**



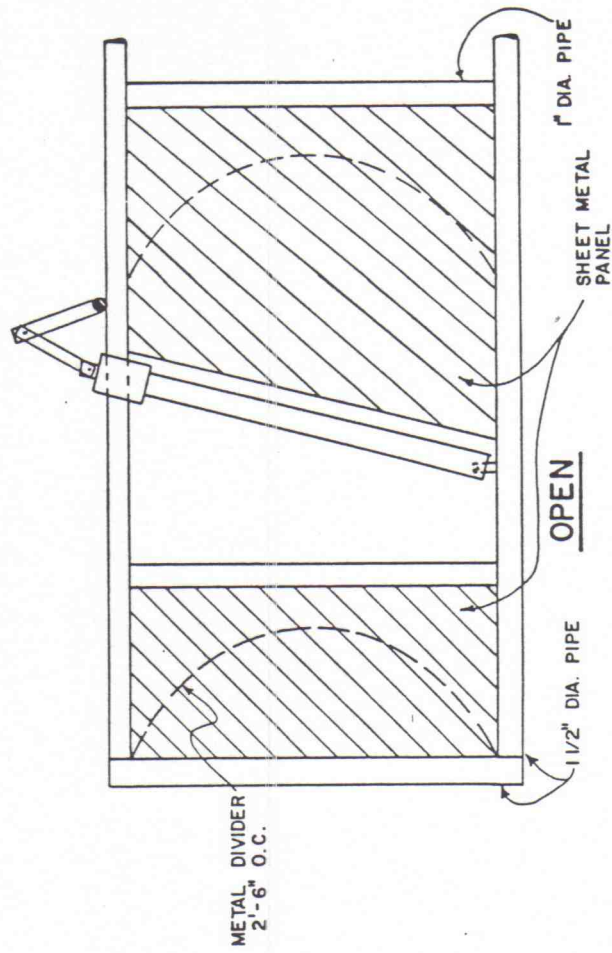
**SUPPORT STRUCTURE (STANCHION
SIDE) AS VIEWED FROM MILKING SIDE**



**SIDE VIEW
OF STANCHION**



LOCKING STANCHION DETAIL (NO SCALE)



NOTE: PLATFORM HEIGHT DIMENSION CAN
BE CHANGED TO SUIT OPERATOR
BUT 30" IS ABOUT MAXIMUM IF
CONTROL ROD IS TO REMAIN
WITHIN REACH.