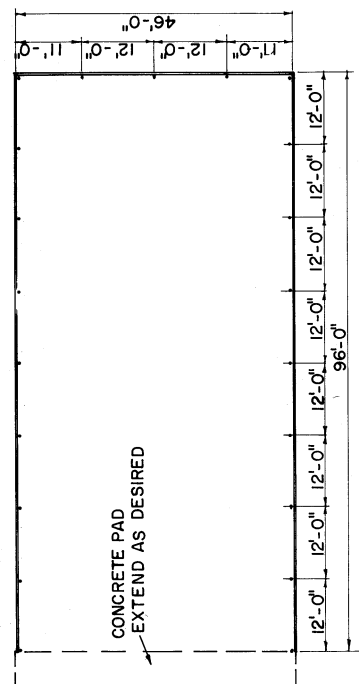
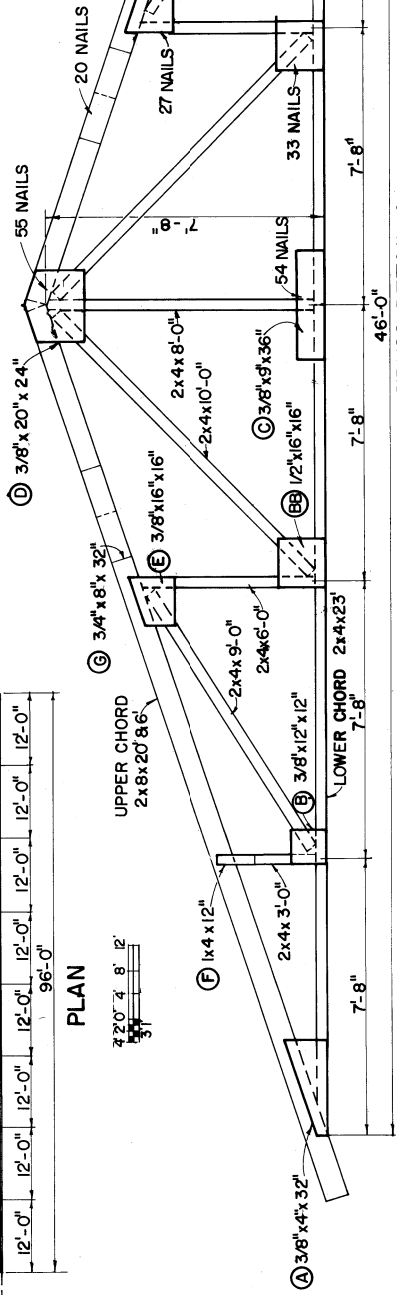


PERSPECTIVE
NO SCALE

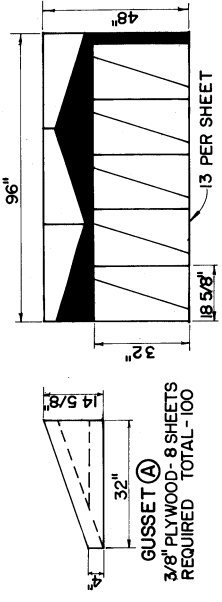


PLAN

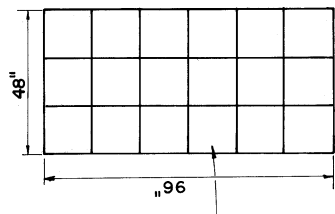
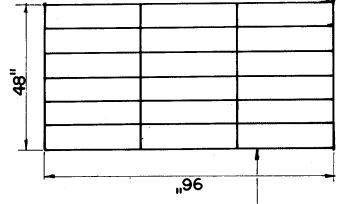
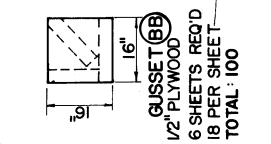
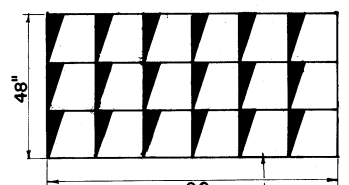
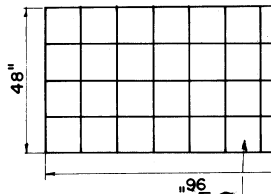
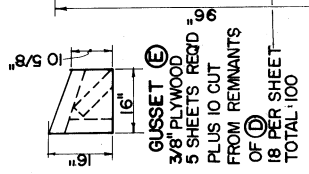
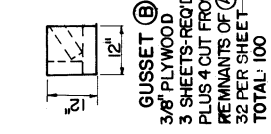
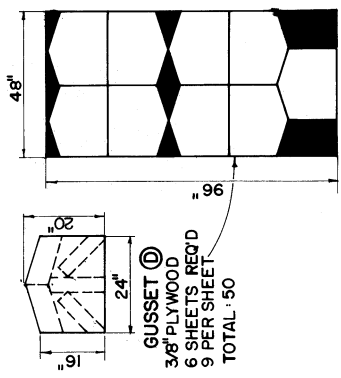


TRUSS DETAIL A

NOTE:
THE NUMBER OF NAILS SPECIFIED FOR EACH JOINT
SHOULD BE DIVIDED EVENLY BETWEEN THE TWO SIDES
OF THE JOINT AND THE MEMBERS IN THE JOINT.



DETAIL OF GUSSETS



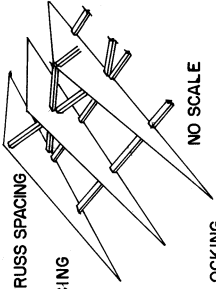
COOPERATIVE EXTENSION WORK IN
AGRICULTURE AND HOME ECONOMICS
STATE OF TENNESSEE
UNIVERSITY OF TENNESSEE
UNITED STATES DEPARTMENT OF AGRICULTURE COOPERATING

BARN FOR AUTOMATIC BALE WAGONS

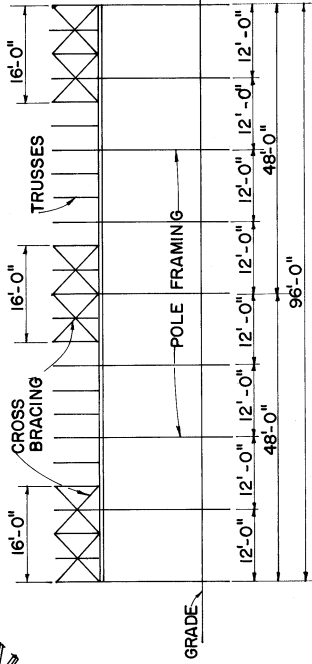
OKLA. '77 6279 SHEET 1 OF 3

4'-0" O.C. TRUSS SPACING

2x4 BRACING



NO SCALE



WIND BRACING



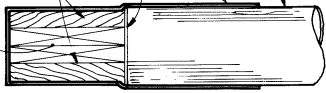
TWO 2x10x3'-0" BLOCKING

TWO 2x10 s GIRDER

1/4" x 6 5/8" x 12" STEEL PLATE WELDED TO POLES

1/4" x 2"x50" U-STRAP WELDED TO POLES

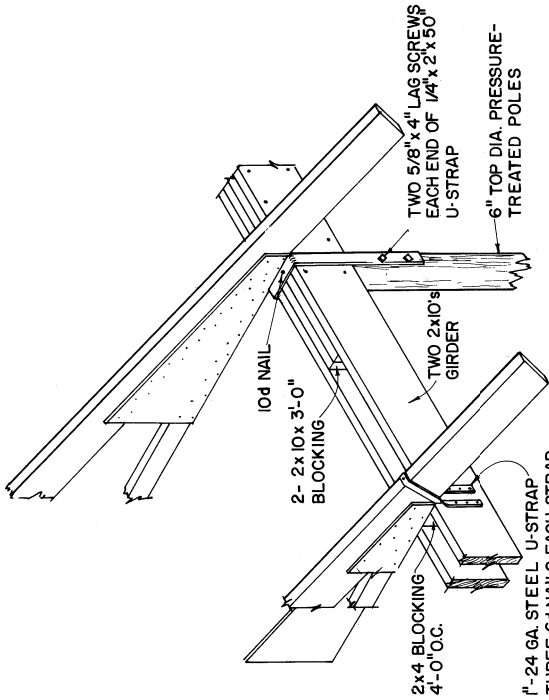
6" STEEL PIPE



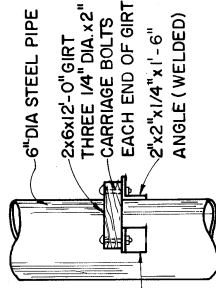
DETAIL B' (STEEL POLES)

TWO 5/8" x 4" LAG SCREWS EACH END OF 1/4" x 2' x 50" U-STRAP

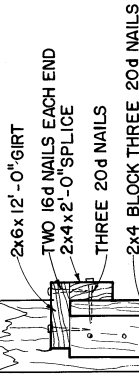
6" TOP DIA. PRESSURE-TREATED POLES



DETAIL B (WOOD POLES)



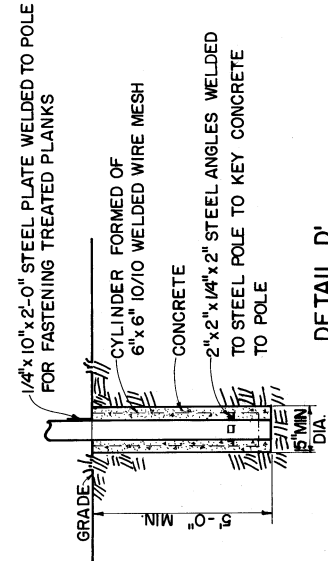
DETAIL C' WALL GIRTS (STEEL POLES)



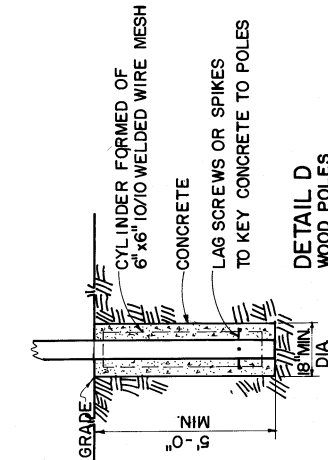
DETAIL C WALL GIRTS (WOOD POLES)



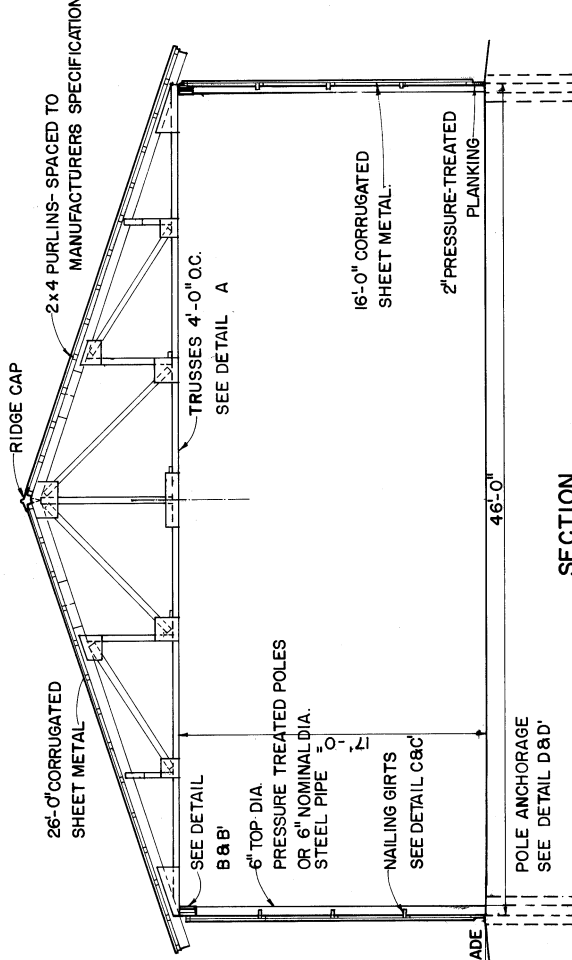
1/4" x 10" x 2'-0" STEEL PLATE WELDED TO POLE FOR FASTENING TREATED PLANKS



DETAIL D' STEEL POLES



DETAIL D WOOD POLES



SECTION



BILL OF MATERIALS - BASIC BUILDING (46' x 96') - NO SIDES

POLES

WOOD - 6" MINIMUM TOP DIAMETER
10" MINIMUM BUTT DIAMETER. SELECT POLES THAT ARE STRAIGHT OR
18 - 22'-0" LENGTH (396 LIN. FT.)

STEEL -

6" NOMINAL DIAMETER STEEL PIPE
6.625" OUTSIDE DIAMETER, .280" WALL
THICKNESS. SELECT PIPE THAT IS FREE
OF DEEP RUST PITS AND APPLY RUST-PROOF
PAINT AFTER ERECTION. HOLES MUST NOT
BE DRILLED THRU THE POLES.
18 - 22'-0" LENGTH (396 LIN. FT.)

GIRDERS

BUY
40 - 2 x 10 x 12'-0" (800 BD. FT.)
CUT
32 - 2 x 10 x 12'-0"
28 - 2 x 10 x 3'-0"
8 - 2 x 10 x 1'-6"

BLOCKING - 2 - 2 x 4 x 12'-0" (16 BD. FT.)
32 - 2 x 4 x 9"

NAILS - 15 LBS. 10d COMMON NAILS

PURLINS - USE LAP NAILING WITH TWO 10d RING-SHANK HARDENED NAILS PER MEMBER.
224 - 2 x 4 x 14'-0" (OR NUMBER REQUIRED BY ROOF MANUFACTURER'S SPECIFIED SPACING).
(2070 BD. FT.)

NAILS - 28 LBS. 10d RING-SHANK HARDENED NAILS

ROOFING - 98 SHEETS 26'-0" CORRUGATED METAL ROOFING (51 SQUARES)

SIDING FOR GABLE ENDS - 24 SHEETS 9'-0" OR 12 SHEETS 18'-0"
CORRUGATED METAL SIDING (432 SQ. FT. = 5 SQUARES)

RIDGE CAP - 100 LIN. FT.

NAILS - 280 LBS. LEAD-HEAD, SCREW-SHANK, GALVANIZED ROOFING NAILS

TRUSSES - USE CONSTRUCTION OR NO. 2 YELLOW PINE OR BETTER

BUY

UPPER CHORD 50 - 2 x 8 x 20'-0" (1,334 BD. FT.)
50 - 2 x 8 x 20'-0"
UPPER CHORD 25 - 2 x 8 x 12'-0" (400 BD. FT.)
50 - 2 x 8 x 6'-0"
LOWER CHORD 50 - 2 x 4 x 24'-0" (800 BD. FT.)
50 - 2 x 4 x 23'-0"
50 - 2 x 4 x 3'-0"
WEB 13 - 2 x 4 x 12'-0" (104 BD. FT.)
50 - 2 x 4 x 10'-0" (334 BD. FT.)
50 - 2 x 4 x 10'-0"
WEB 25 - 2 x 4 x 12'-0" (200 BD. FT.)
50 - 2 x 4 x 6'-0"
WEB 50 - 2 x 4 x 11'-0" (400 BD. FT.)
50 - 2 x 4 x 11'-0"
KINGPOST 13 - 2 x 4 x 16'-0" (132 BD. FT.)
25 - 2 x 4 x 8'-0"

GUSSETS - CC EXTERIOR GRADE PLYWOOD

28 SHEETS 3/8"
6 SHEETS 1/2"
6 SHEETS 3/4"
10 - 1 x 4 x 10'-0"
SEE CUTTING DIAGRAMS

NAILS - 100 LBS. 10d HELICALLY - THREADED HARDENED NAILS

WIND BRACING - 24 - 2 x 4 x 12'-0" BOTTOM CHORD (192 BD. FT.)
12 - 2 x 4 x 12'-0" CROSS BRACING (96 BD. FT.)

CONCRETE - 5 CU. YDS. - TO SET POLES

MISCELLANEOUS - 18 - 1/4" x 2" x 50" STEEL U STRAPS
50 - 1" x 24 GAGE x 30" METAL U STRAPS (PLUMBER'S STRAP)
2 LB. 6d COMMON NAILS
400 SQ. FT. 6" x 6" 10/16 WELDED WIRE MESH CUT
18 - 4 - 6" x 5'-0" PIECES TO FORM REINFORCING CYLINDERS

WOOD POLES ONLY - 72 - 5/8" x 4" LAG SCREWS FOR U STRAPS

72 - 1/2 x 5" LAG SCREWS OR SPIKES FOR POLE ANCHORAGE

STEEL POLES ONLY - 18 - 1/4 x 6" x 12" STEEL PLATES FOR GIRDER SUPPORT

72 - 3" x 3" x 4" x 1/4" ANGLES FOR POLE ANCHORAGE

ADDITIONAL MATERIALS FOR SIDES AND ONE END

POLES

3 - 6" DIA. TOP PRESSURE-TREATED WOOD OR
3 - 6" NOMINAL DIA. STEEL PIPE POLES - 22'-0" LONG
CONCRETE - 1 CU. YD. REQUIRED TO SET POLES.

REINFORCING MESH AND UPLIFT KEYS NOT REQUIRED.

TREATED PLANKS

40 - 2 x 6 x 12'-0" OR (480 BD. FT.)
20 - 2 x 12 x 12'-0"

WALL GIRTS

60 - 2 x 6 x 12'-0" (720 BD. FT.)

SIDING

SIDE WALLS

96 SHEETS 16'-0" CORRUGATED METAL SIDING (3,072 SQ. FT. - 31 SQUARES)

END WALL

23 SHEETS 17'-0" CORRUGATED METAL SIDING (782 SQ. FT. - 8 SQUARES)

CORNER FLASHING - 40 LIN. FT.

NAILS - 200 LBS. LEAD-HEAD, SCREW-SHANK, GALVANIZED ROOFING NAILS

WOOD POLES ONLY

SPLICE AND GIRT FASTENING

BUY
11 - 2 x 4 x 12'-0"
(88 BD. FT.)
NAILS - 4 LB. 12d RING - SHANK HARDENED
2 LB. 16d RING - SHANK HARDENED
CUT
51 - 2 x 4 x 2'-0"
18 - 2 x 4 x 1'-6"

TREATED PLANK FASTENING

NAILS - 3 LB. 16d RING - SHANK HARDENED

STEEL POLES ONLY

SPLICE AND GIRT FASTENING

BUY
2" x 2" x 169 LIN. FT.
ANGLE IRON
BOLTS - 360 - 1/4" DIA. x 2" CARRIAGE BOLTS
CUT
51 - 2" x 2" x 2'-0"
18 - 2" x 2" x 1'-6"
120 - 2" x 2" x 4"

TREATED PLANK FASTENING - PLATES WELDED TO POLES

BUY
310 SQ. FT. OF
1/4" STEEL PLATES
17 - 1/4" x 10" x 2'-0"
6 - 1/4" x 10" x 1'-6"
BOLTS - 52 - 3/8" DIA. x 2 1/2" MACHINE BOLTS WITH LARGE WASHERS