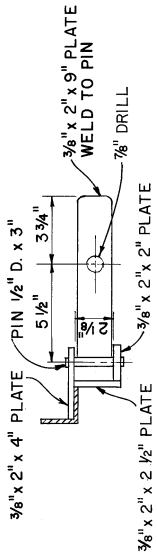
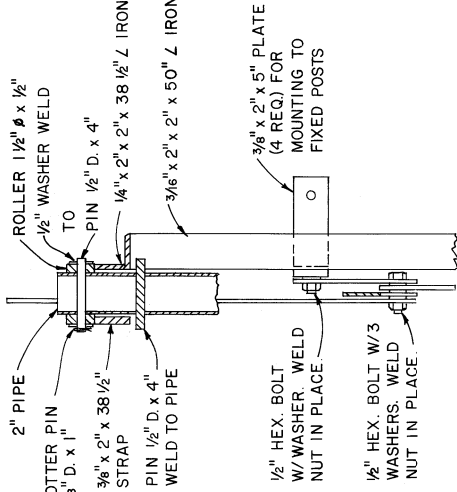


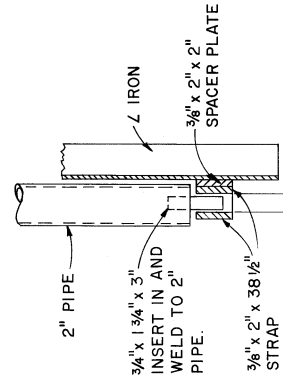
SECTION A-A



SECTION B-B

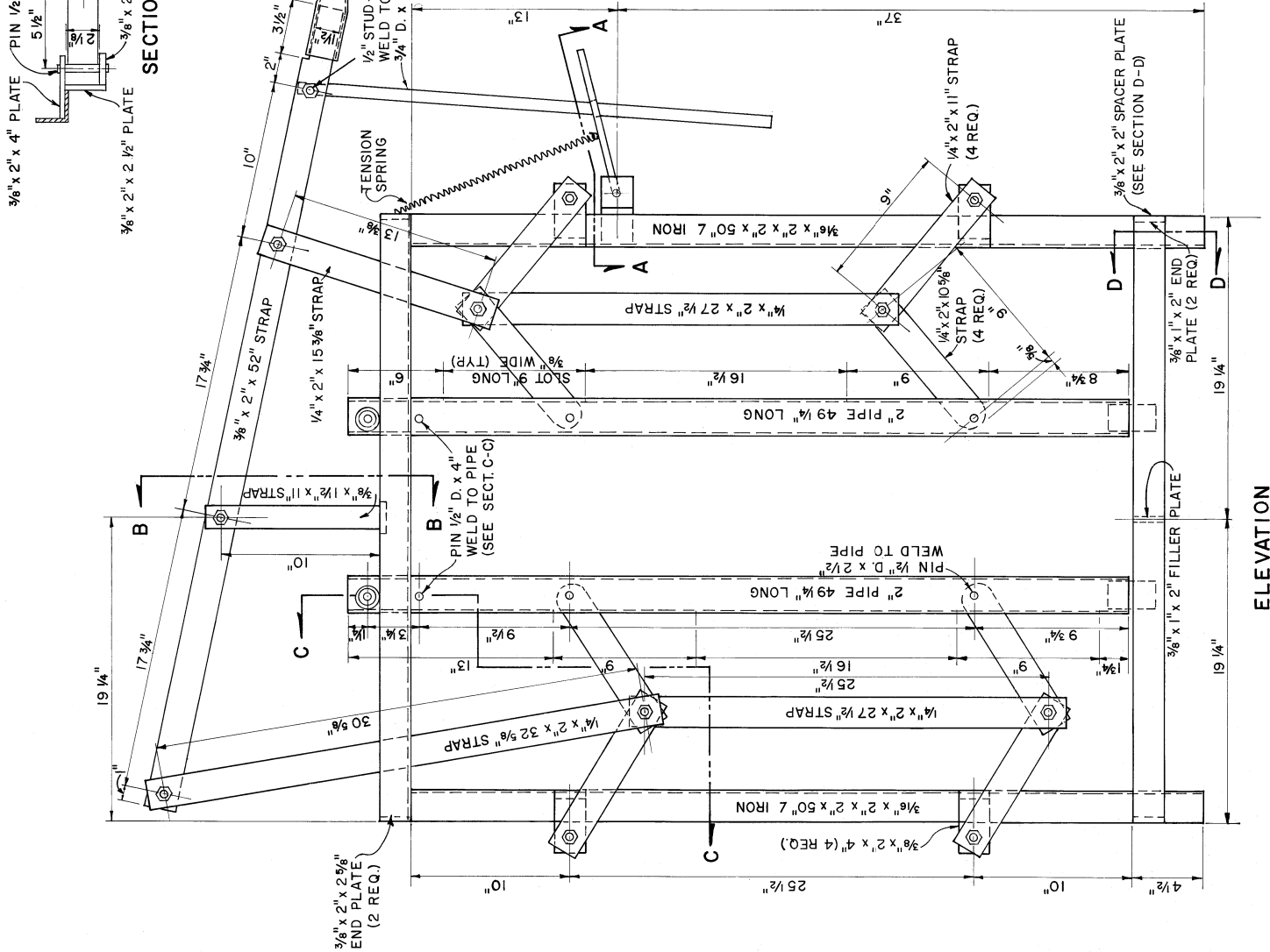


SECTION C-C



SECTION D-D

- NOTES:
1. ALL SCISSOR ACTION JOINTS TO BE ASSEMBLED AS SHOWN IN SECTION C-C.
  2. 1/32" DRILL-ALL HOLES UNLESS OTHERWISE NOTED.
  3. FASTENERS WITH 1/2" D. PINS OR 1/2" BOLTS AND NUTS WHERE INDICATED. FIX FASTENERS IN PLACE BY WELDING.
  4. ATTACH HEADGATE AT 4 PLACES TO FIXED POSTS. MOUNTING PLATES ON HEADGATE ARE SPACED 35 1/8" C TO C.



ELEVATION

