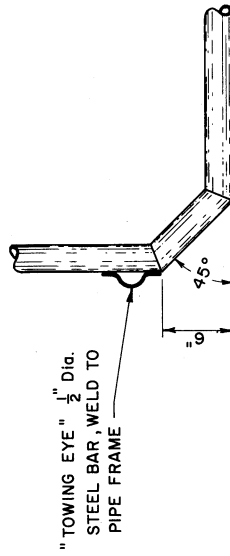
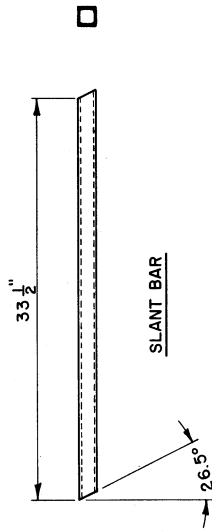
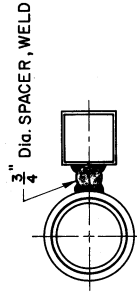


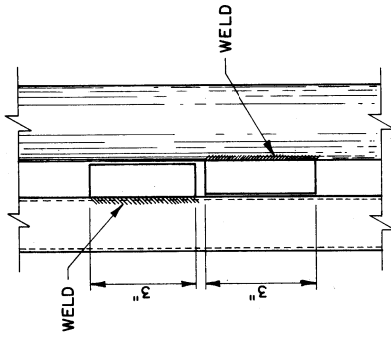
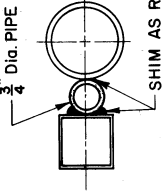
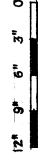
PERSPECTIVE



DETAIL "A"

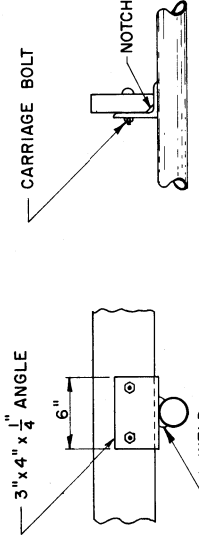
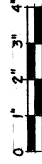


DETAIL "B"



LATCH DETAIL "D"

HINGE DETAIL "C"

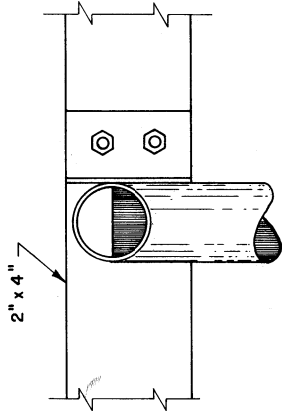
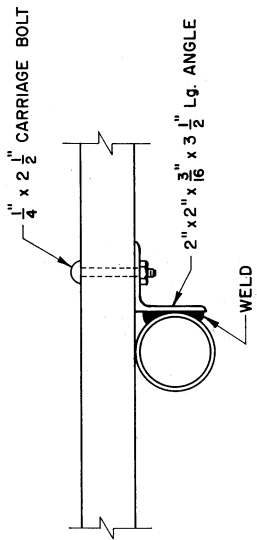


DETAIL "B"

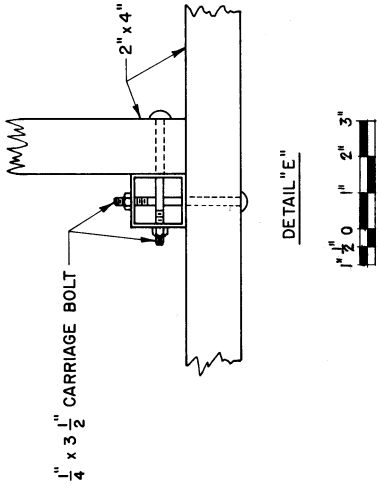
MATERIAL	REQ'D
1 1/2" x 14 Ga. Square Tubing	200'
2" Dia. Pipe	80'
Corrugated Metal Roofing, 10' Sheets	7
20 Ga. Sheet Metal	1' x 16'
20 Ga. Sheet Metal	1'-6" x 24'
3" x 4" x 1/4" Angle	12'
2" x 2" x 3/16" Angle	14"
2 1/2" Dia. Pipe	8"
1/2" x 3 1/2" Carriage Bolt	4
1/4" x 2 1/2" Carriage Bolt	12
2" x 6" x 1/4"	1
2" x 4" x 1/4"	2
2" x 4" x 8"	1
3/4" Dia. Steel Bar (Latch Pins & Spacers)	As Req'd

COOPERATIVE EXTENSION WORK IN
 AGRICULTURE AND HOME ECONOMICS
 STATE OF TENNESSEE
 UNIVERSITY OF TENNESSEE
 UNITED STATES DEPARTMENT OF AGRICULTURE COOPERATING

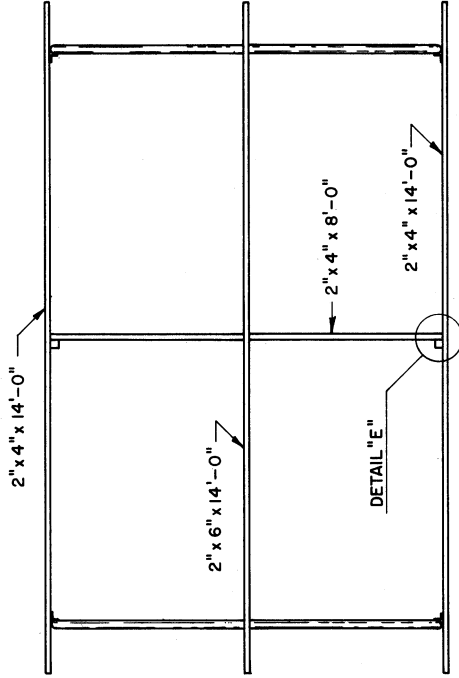
**COVERED FEEDER
 FOR ROUND BALES**



DETAIL "G"

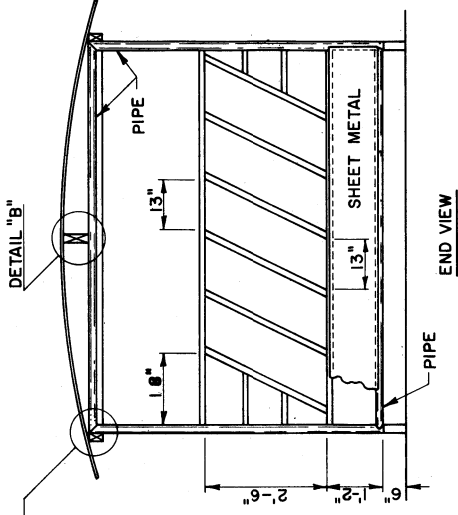


DETAIL "E"

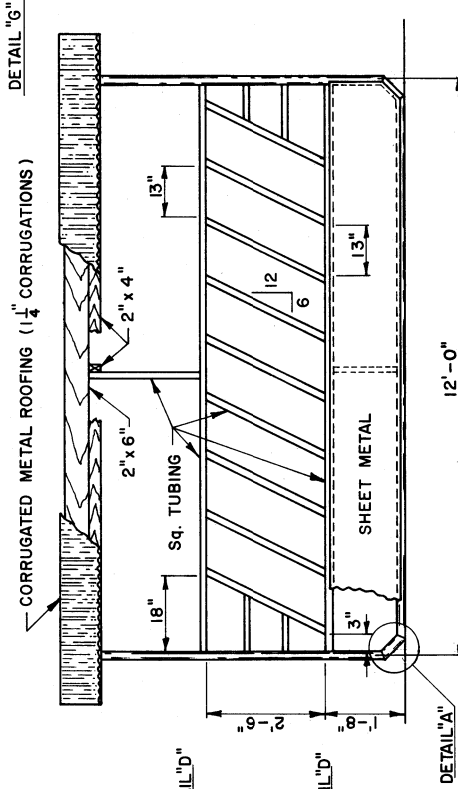


DETAIL "E"

ROOF FRAMING

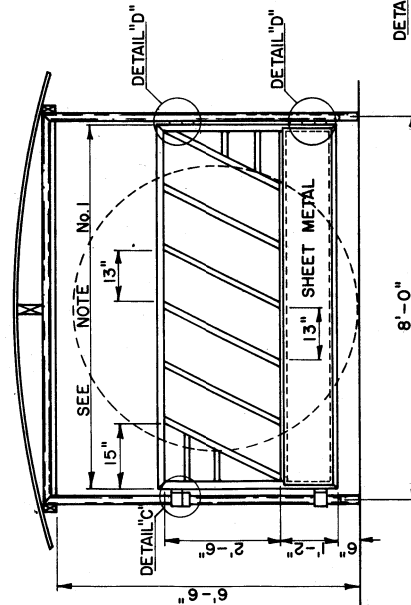


DETAIL "B"



DETAIL "C"

ROOF ROOFING (1 1/4 CORRUGATIONS)



DETAIL "D"

DETAIL "D"

END VIEW

SIDE VIEW

NOTE :

1. This Dimension To Be Determined After Structure Has Been Welded Together To Insure Proper Fit.
2. Feeder Designed To Accept 7' Dia. Bales — If Smaller Bales Are To Be Fed, The 8' Dimension Should Be Reduced To Bale Diameter Plus 12".
3. To Prevent Feeder From Overturning In High Winds, Fasten Securely To Ground.
4. If Feeder is To Be Used On Soft Or Spongy Soil, The Runners Should Be Made From 4" Dia. Pipe.

