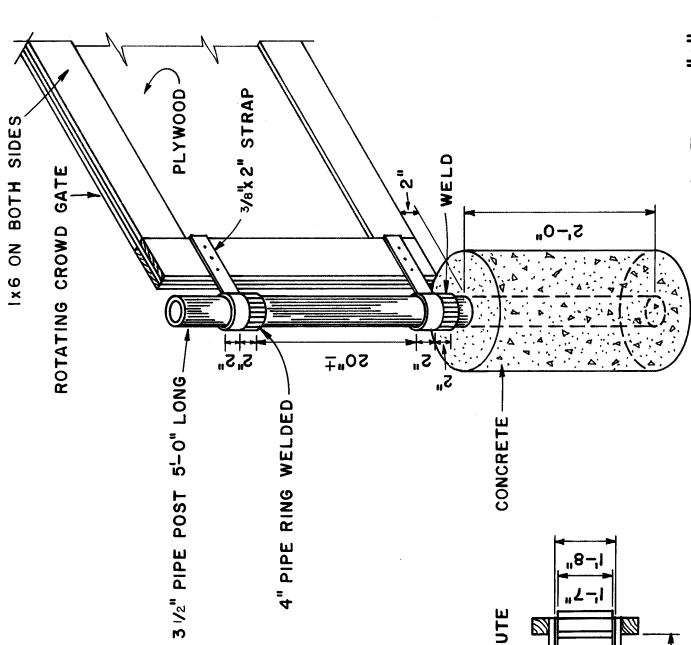


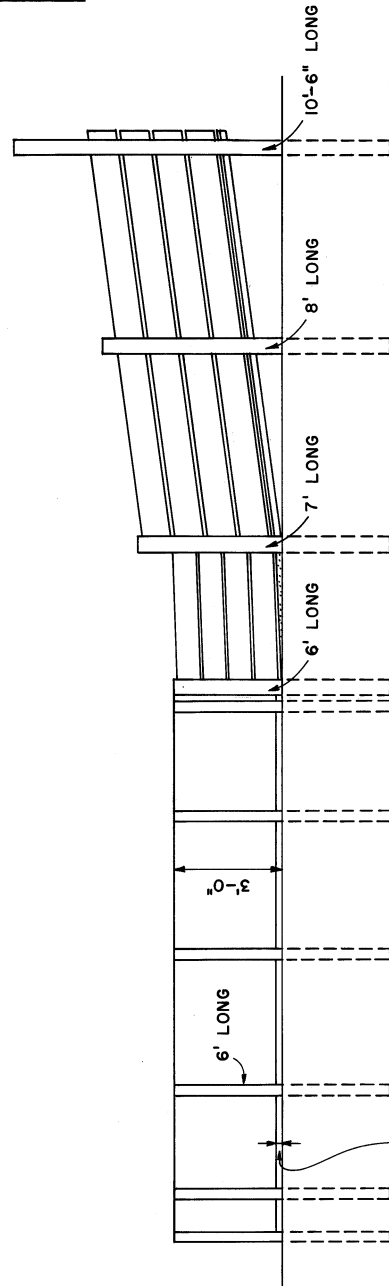
NOTE:  
 1. PLAN 5852, VARIABLE HEIGHT.  
 2. PLAN 6183, THREE TIER.

PLAN



DETAIL "A"

CAPACITY OF LOADING PENS		
DIAMETER (FT.)	FEEDER PIGS AT 2 SQ. FT.	MARKET HOGS AT 6 SQ. FT.
12	57	19
16	100	34
20	157	52
24	226	75
28	308	103
32	402	134



ELEVATION

LEAVE 2" CLEARANCE BETWEEN FENCE AND GROUND AND CONCRETE FLOOR

12" 6" 0 1' 2' 3' 4'  
 SCALE UNLESS OTHERWISE NOTED.

COOPERATIVE EXTENSION WORK IN AGRICULTURE AND HOME ECONOMICS  
 STATE OF TENNESSEE  
 UNIVERSITY OF TENNESSEE  
 UNITED STATES DEPARTMENT OF AGRICULTURE COOPERATING

CIRCULAR LOADING PEN FOR SWINE

N.C. '75 6223 SHEET 1 OF 1

BASED ON: N.C. STATE UNIV. PLAN NO. 2180