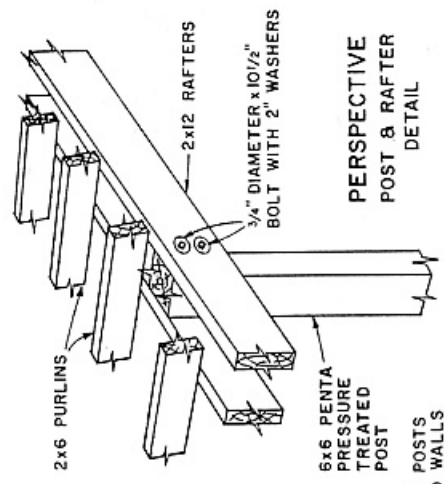
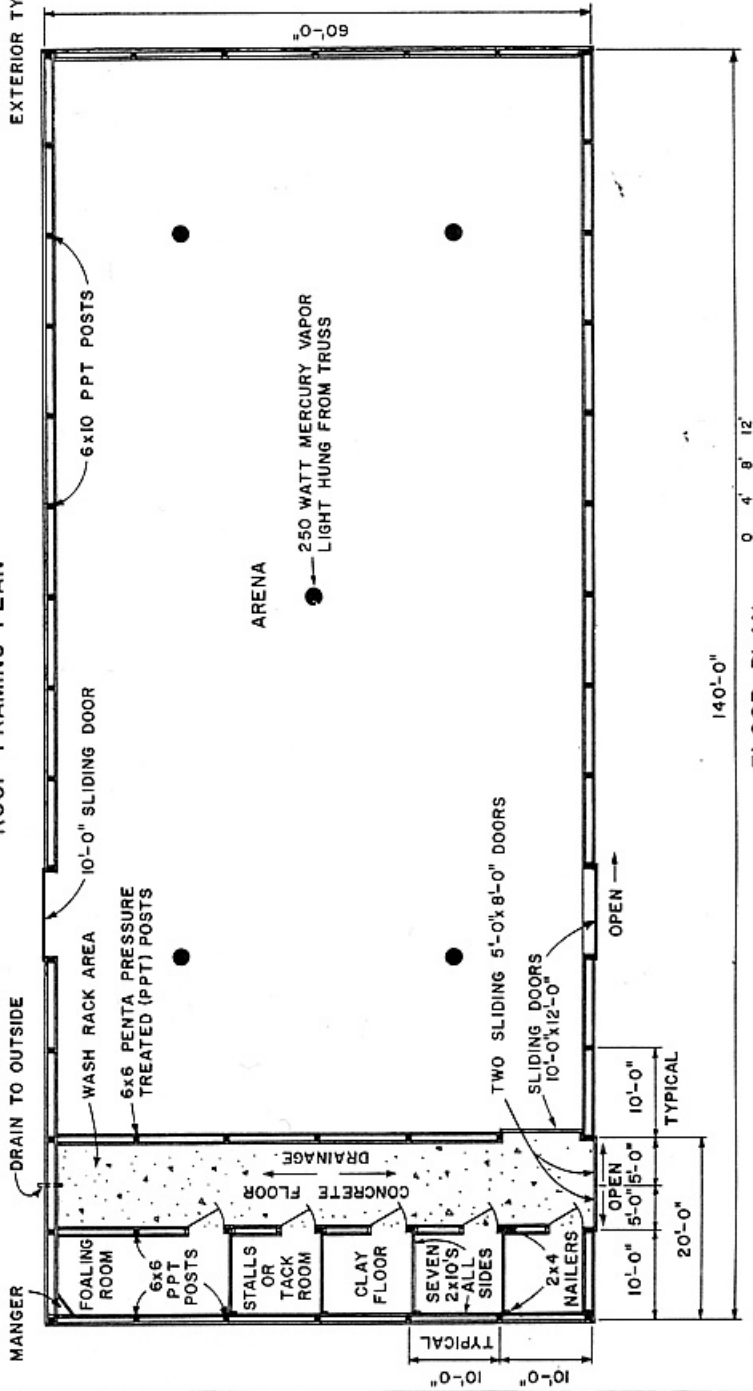


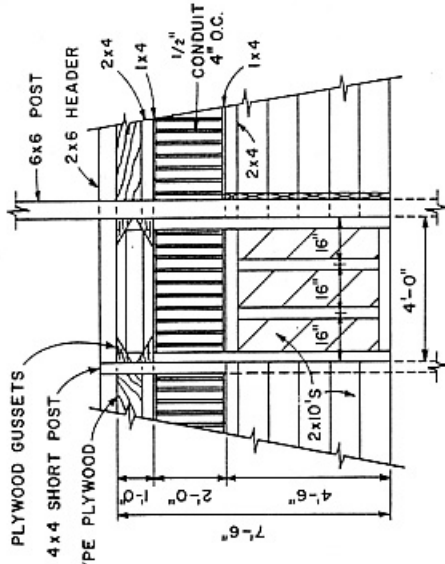
ROOF FRAMING PLAN



PERSPECTIVE POST & RAFTER DETAIL



FLOOR PLAN



STALL DOOR DETAIL



BASED ON: UNIV. OF IDAHO PLAN AE-73-01



COOPERATIVE EXTENSION WORK IN AGRICULTURE AND HOME ECONOMICS
STATE OF TENNESSEE
UNIVERSITY OF TENNESSEE
AGRICULTURAL ENGINEERING DEPARTMENT
AND
UNITED STATES DEPARTMENT OF AGRICULTURE COOPERATING

HORSE BARN & ARENA

ID. '73 6171 SHEET 1 OF 3

DATE: 1/73

