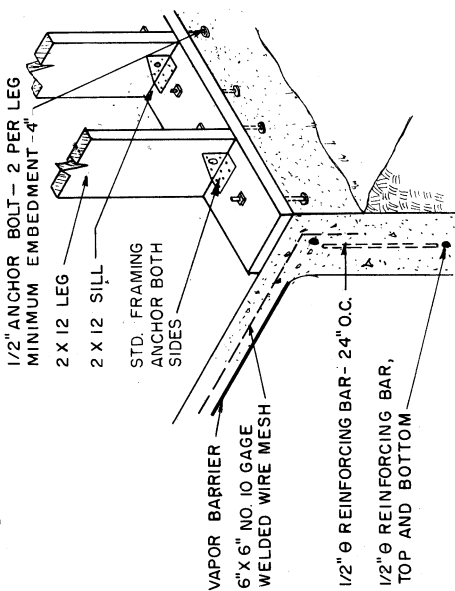
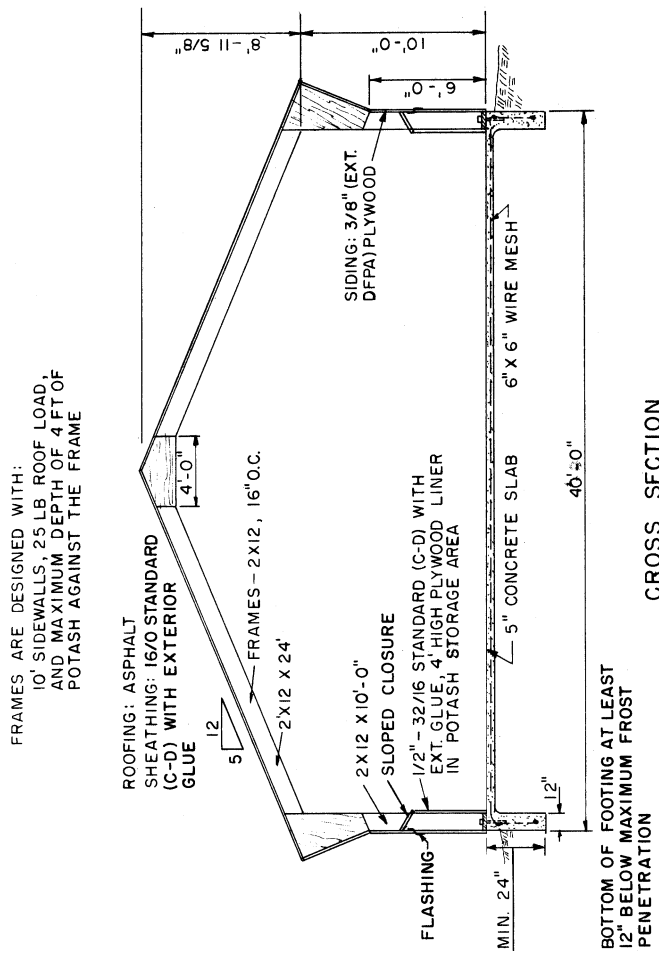


PLAN

This design is based on the use of American Plywood Association Grade-Trademarked plywood. Structural deficiencies may result with the substitution of materials. Because erection of the structure cannot be supervised no liability can be assumed by the designer or the American Plywood Association. Mention of a trade name does not constitute a guarantee or warranty of the product by the U.S. Department of Agriculture or an endorsement by the Department over other products not mentioned.



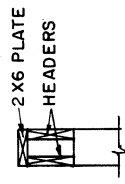
FOUNDATION DETAIL - RIGID FRAMES



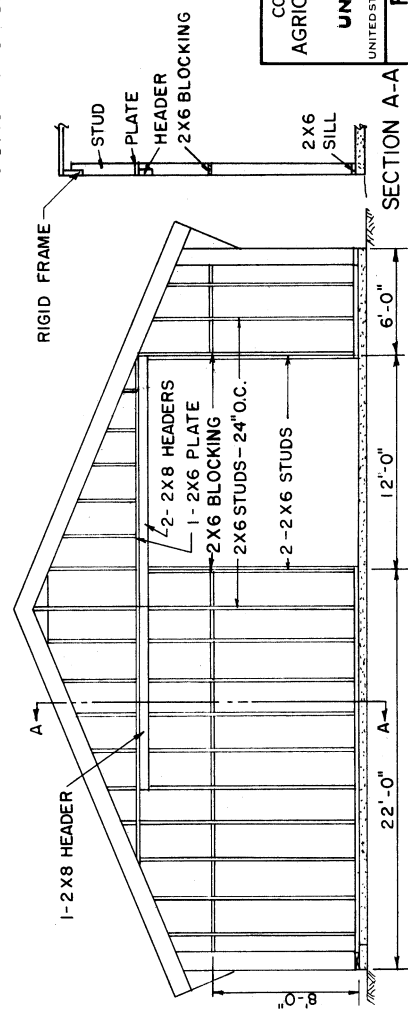
CROSS SECTION

NOTES

- ALL FASTENERS SHALL BE CORROSION RESISTANT OR STAINLESS STEEL.
- LUMBER: CONSTRUCTION GRADE DOUGLAS FIR, NO. 2 SOUTHERN YELLOW PINE OR EQUIVALENT GRADES WITH $F_b = 1500$ PSI
- PLYWOOD: ALL PLYWOOD IS DFPA GRADE TRADEMARKED.
- GUSSETS: C-C EXTERIOR
- ROOF SHEATHING & LINER: STANDARD (C-D) WITH EXTERIOR GLUE
- SIDING: ANY GRADE OF EXTERIOR (EXT-DFPA)



2 X 8 HEADERS OVER DOOR OPENING



END FRAMING

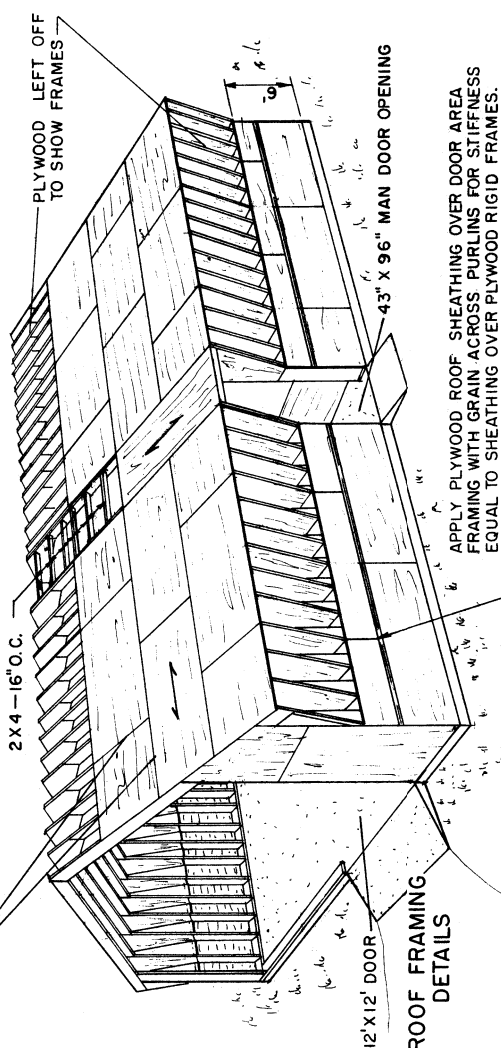
AMERICAN PLYWOOD ASSOC.
FORM NO. 70-145

COOPERATIVE EXTENSION WORK IN
AGRICULTURE AND HOME ECONOMICS
STATE OF TENNESSEE
UNIVERSITY OF TENNESSEE
UNITED STATES DEPARTMENT OF AGRICULTURE COOPERATING

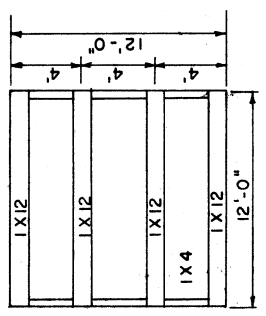
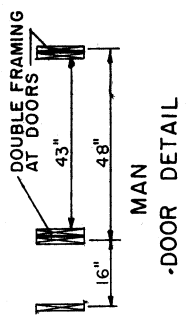
FERTILIZER STORAGE
40' RIGID FRAME

APA '71 6117 SHEET 1 OF 2

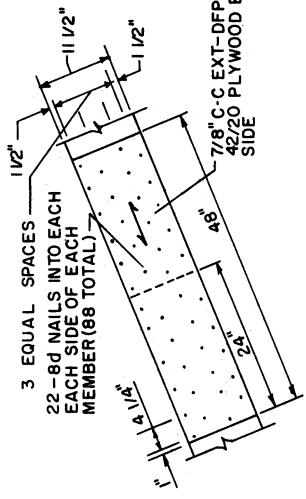
SPACE ROOF AND WALL PANELS WITH 1/16" END JOINT AND 1/8" EDGE JOINT. FOR WET OR HUMID CONDITIONS, DOUBLE THESE SPACES.



APPLY PLYWOOD ROOF SHEATHING OVER DOOR AREA FRAMING WITH GRAIN ACROSS PURLINS FOR STIFFNESS EQUAL TO SHEATHING OVER PLYWOOD RIGID FRAMES. STAGGER PLYWOOD JOINTS AND ATTACH WITH 6d NAILS, 6" O.C. AT PANEL EDGES, 12" O.C. ON INTERMEDIATE NAILERS.

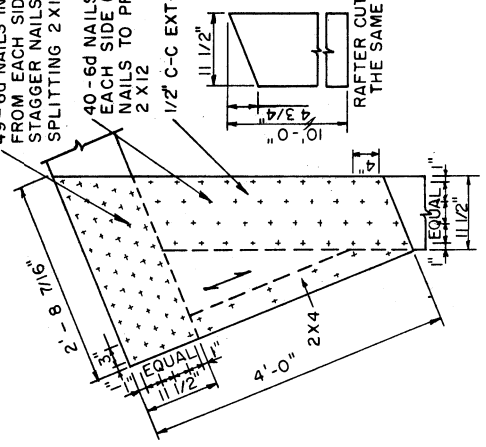


FRAMING FOR 12' X 12' DOOR

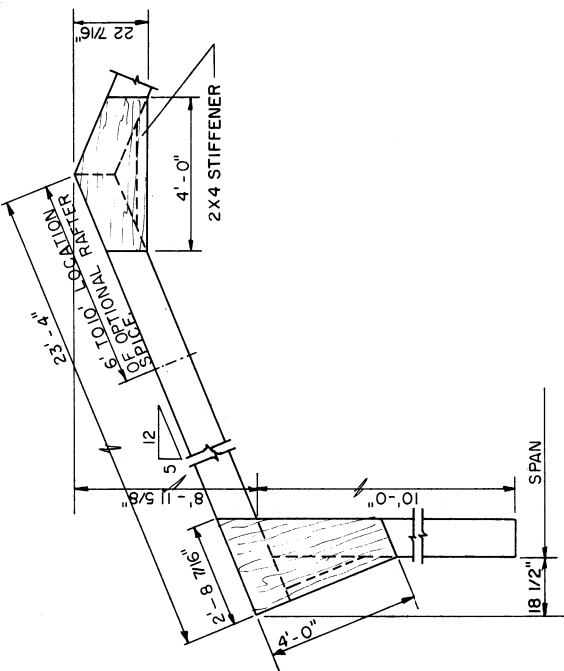


OPTIONAL SPLICE OR RAFTER

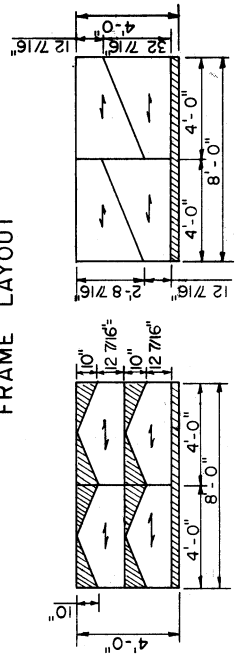
49 - 6d NAILS INTO RAFTER FROM EACH SIDE (TOTAL 98) STAGGER NAILS TO PREVENT SPLITTING 2 X 12
40 - 6d NAILS INTO STUD FROM EACH SIDE (TOTAL 80) STAGGER NAILS TO PREVENT SPLITTING 2 X 12
1/2" C-C EXT-DFPA PLYWOOD EACH SIDE



HAUNCH GUSSET DETAILS

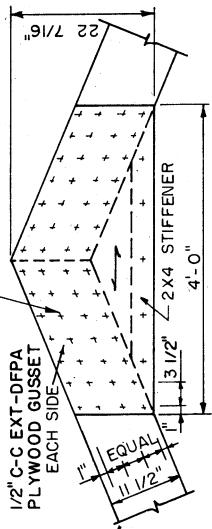


FRAME LAYOUT



PLYWOOD CUTTING DIAGRAM

28 - 10d NAILS DRIVEN THROUGH EACH RAFTER & BOTH GUSSETS; CLINCH AGAINST GUSSETS. (156 TOTAL)



CROWN GUSSET DETAILS